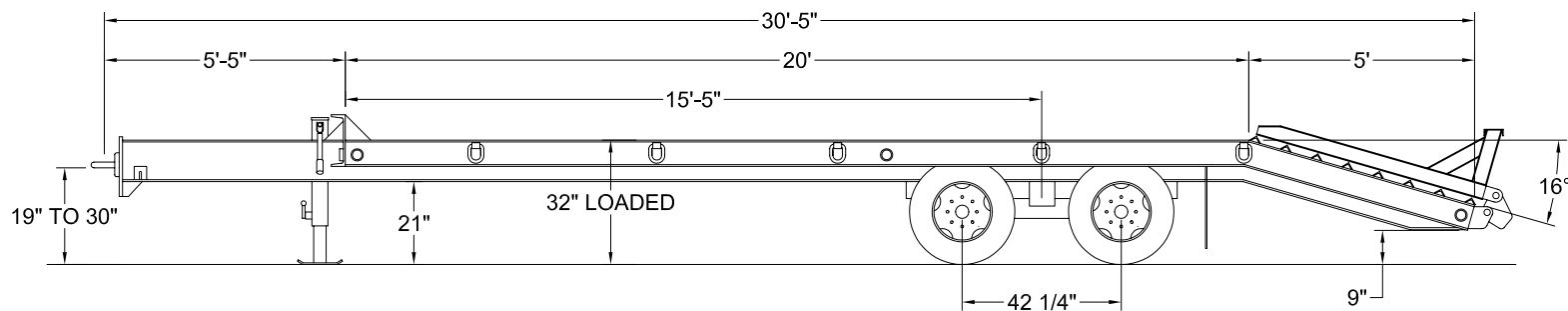
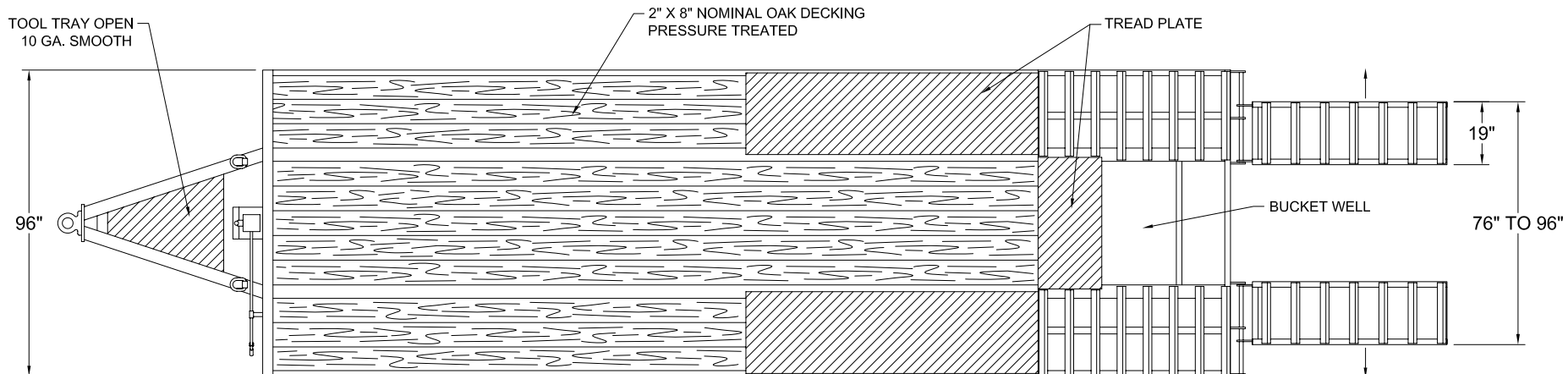


# TDO 18-24



REV.	DATE	BY	CHANGE OR ADDITION

DRAWN PAUL COLE	02-25-05
CHECKED BY	
QA	
MFG	
APPROVED	
SCALE na	SIZE C
REVISION	SHT 1 OF 1

CONFIDENTIAL: THIS DRAWING IS THE PROPERTY OF HOLDEN INDUSTRIES INC. PERMISSION IS REQUIRED TO REPRODUCE OR SUBMIT COPIES TO A THIRD PARTY FOR EXAMINATION



**HOLDEN INDUSTRIES, INC.**  
P.O. BOX 550 5624 S. STATE HIGHWAY 43  
SOUTHWEST CITY, MISSOURI 64863

TITLE	TDO 18-24 TRAILERS (STANDARD)
PART NO.	XXXXXX